

SPEED-RAK® MOUNTING INSTRUCTIONS

Speed-Raks® may be mounted in a SINGLE ROW or DOUBLE ROW.
Any single Speed-Rak® will mount to the front of another single Speed-Rak® as shown below.

CONTENTS

- 2 - #10 x 3/4 Sheet Metal Screws
- 2 - #10 Flat Washers
- 2 - 10-32 x 3/8 Machine Screws
- 2 - 10-32 Acorn Nuts

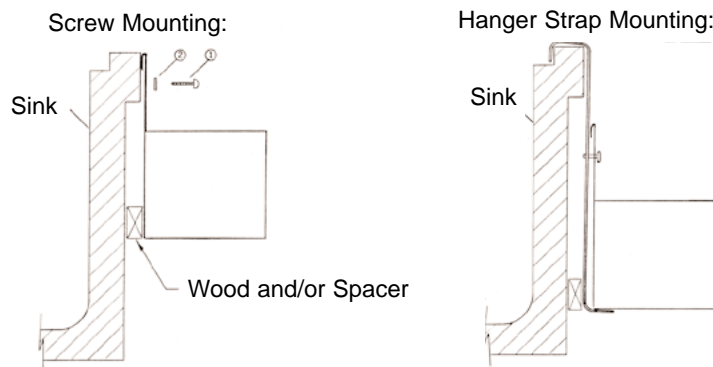
SINGLE SPEED-RAK® INSTALLATION:

SINGLE MOUNTING:

1. Attach wood or other spacer to sink (shown to the right). This keeps Speed-Rak® firmly mounted.
Make sure there is no leaning.

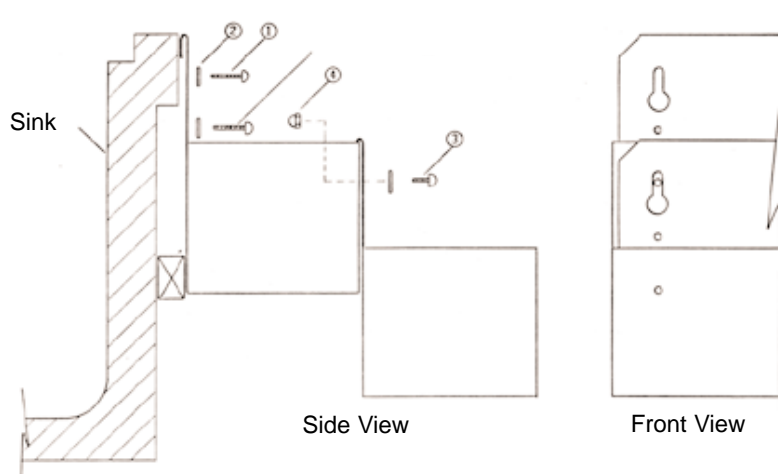
HANGER STRAP MOUNTING: (*Hanger Straps fit all S/S Model Speed-Raks®*)

1. Slip 2 Hanger Straps onto Speed-Rak®.
2. Place over edge of sink.
3. **DO NOT** mount a double row using hanger straps. It may be unstable.



DOUBLE SPEED-RAK® INSTALLATION:

These screws are for additional support.



Worldwide Headquarters:
P.O. Box 53006
Oklahoma City, Oklahoma 73152-3006
(405) 475-5600 • FAX (405) 475-5607
1-800-654-8210
website: www.carlislefsp.com

European Distribution Center:
Edisonstraat 84, P.O. Box 110
6900 AC Zevenaar, The Netherlands
Tel +31/(0)316-596550 • Telex 45642
FAX +31/(0)316-340168
#104T103018 Rev.3/02

CARLISLE
FoodService Products